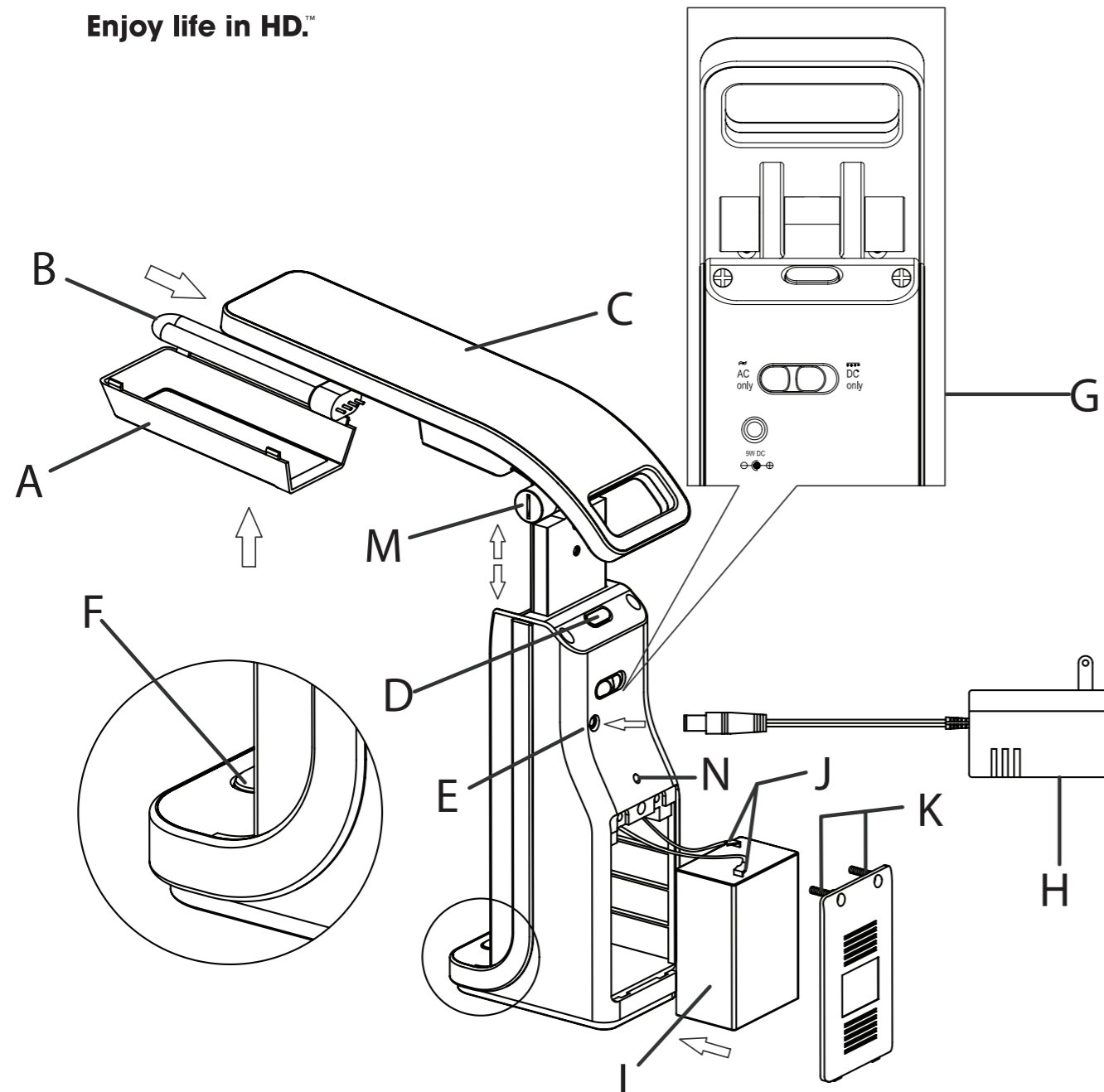




Enjoy life in HD.™



CONGRATULATIONS! You've purchased the finest in natural lighting technology with your new OttLite® product.

PRODUCT REGISTRATION FORM

Please complete the enclosed Product Registration Form and return it today by mail, or register online by going to: www.OttLite.com/warranty.

BE SURE TO READ AND UNDERSTAND **BATTERY CAUTIONS AND BATTERY MAINTENANCE** COMPLETELY BEFORE USING LAMP.

WARNING: To prevent electric shock, make sure the lamp is not plugged in until all assembly steps are complete.

INSTALLATION INSTRUCTIONS:

NOTE: AC means alternating current, which is available via wall outlet. DC means direct current, which is provided via battery.

1. Remove all packaging from the lamp, including tube and scratch protection wrappings.
2. Remove the diffuser (A) by holding the shade (C) and pull down on the end of the diffuser. The diffuser is held in place at 4 places and snaps in or out of holding slots. Squeezing the shade slightly at the slot locations will aid in removal.
3. Remove tube (B) from packing and install into lamp socket inside shade (C), by aligning tube base with socket then push firmly until it snaps into place. **Do not twist or turn the tube.**
4. Give a gentle pull on the tube to confirm it is being held by the socket.
5. Reattach diffuser (A) to shade (C) by aligning the holding tabs with the holding slots and pressing to snap into place.
6. Referring to diagram (G), move the AC/DC switch to the AC position.

7. Refer to OPERATING INSTRUCTIONS to fully charge battery BEFORE FIRST USE and after EVERY USE.

8. Refer to TUBE INSERTION/ REMOVAL for future change out of tube.

OPERATING INSTRUCTIONS:

NOTE: This product is intended for indoor use only.
NOTE: Battery must be fully charged before first use and after every use to maximize battery life and lamp run time.

IMPORTANT SAFETY NOTICES:

- Never have lamp powered on when closed.
 - The lamp must be positioned upright while charging.
 - The lamp must not be placed on its side or tilted when in use.
1. Charging the battery:
 - a. The battery will be charging any time the lamp is connected to a 120V AC outlet as directed below. Refer to diagram (G) as needed.
 - b. Connect the AC Adapter (H) to a standard 120V AC outlet and to the 9V DC connector (E).
 - c. Rotate the shade (C) to its closed and off position. The battery charges faster when the lamp is off.
 2. Using the Lamp with wall power:
 - a. See diagram (G) as needed.
 - b. Connect the AC Adapter (H) to a standard 120V AC outlet and to the 9V DC connector (E).
 - c. Move the AC/ DC switch to the AC position.
 - d. Rotate shade to an open position and press on/off button (F).
 - e. If the AC/ DC switch is moved to the DC position the lamp will turn off, this is normal.

Rechargeable Task Lamp

571PN3

CAUTION! IMPORTANT SAFETY INSTRUCTIONS:

THIS PORTABLE LAMP HAS A POLARIZED PLUG (ONE BLADE IS WIDER THAN THE OTHER) AS A FEATURE TO REDUCE THE RISK OF ELECTRIC SHOCK. THIS PLUG WILL FIT IN A POLARIZED OUTLET ONLY ONE WAY. IF THE PLUG DOES NOT FIT FULLY IN THE OUTLET, REVERSE THE PLUG. IF IT STILL DOES NOT FIT, CONTACT A QUALIFIED ELECTRICIAN. NEVER USE WITH AN EXTENSION CORD UNLESS PLUG CAN BE FULLY INSERTED. DO NOT ALTER THE PLUG.

CAUTION: TO PREVENT ELECTRIC SHOCK, MATCH WIDE BLADE OF PLUG TO WIDE SLOT, FULLY INSERT.

SAVE THESE INSTRUCTIONS | LAMP CONTAINS MERCURY, Manage in accordance to disposal laws.

IMPORTANT SAFETY INSTRUCTIONS

WARNING – When using electric appliances, basic precautions should always be followed, including the following:

- a) Read all the instructions before using the appliance.
- b) To reduce the risk of injury, close supervision is necessary when an appliance is used near children.
- c) Only use attachments recommended or sold by the manufacturer.
- d) Do not use outdoors.
- e) To reduce the risk of electrical shock, do not put rechargeable light in water or other liquid. Do not place or store appliance where it can fall or be pulled into a tub or sink.
- f) For an appliance with a replaceable tube – Always unplug before replacing the tube. Replace tube with same type rated 13 Watts.

CAUTION: AC POWER SUPPLY REQUIRES PROPER VENTILATION FOR PROPER OPERATION. A MINIMUM OF 6 INCHES OF AIR SPACE MUST BE PROVIDED ON ALL SIDES EXCEPT WHERE PLUGGED INTO AN ELECTRICAL OUTLET.

When charging the lamp, the lamp must be in an upright position on its base. Failure to charge in this position can damage the battery or cause a potential hazard due to the construction of the sealed lead acid battery.

CAUTION – Risk of Injury. Charge only Lead-Acid rechargeable battery rated 6V, 5.0Ah or equivalent. Other types of batteries may burst causing damage or injury to persons.

3. Using the Lamp with battery power:
 - a. See diagram (G) as needed.
 - b. Battery operation should be attempted only when the battery has a full charge or close to a full charge.
 - c. Disconnect the AC Adapter (H) from the 9V DC connector (E).
 - d. Move the AC/ DC switch to the DC position.
 - e. Rotate shade to an open position and press on/off button (F).
 - f. If the AC/ DC switch is moved to the AC position the lamp will turn off, this is normal.

4. Lamp Adjustments: Height

- a. To adjust shade height, press button (D) to release the shade latch.
- b. Gently raise shade all the way up (about 3”), it will latch in place.
- c. To lower the shade, first hold the shade in position then press the shade release button (D) and lower it all the way down.

Shade Tension

- a. Use a coin in slot (M) of the tension joint to tighten or loosen the shade tension. Tighten only enough to keep the shade in place. Overtightening will damage the lamp.

TUBE INSERTION / REMOVAL

1. Turn lamp off by pressing power switch (F).
2. Disconnect lamp from wall power, if connected.
3. If the lamp has been in use allow it to cool approximately 5 minutes before proceeding.
4. Remove the diffuser (A) by holding the shade (C) and pull down on the end of the diffuser. The diffuser is held in place at 4 places and snaps in or out of holding slots. Squeezing the shade slightly at the slot locations will aid in removal.
5. Remove tube (B) from packing and install into lamp socket, inside shade (C), by aligning tube base with socket then push firmly until it snaps into place. Do not twist or turn the tube. Give a gentle pull on the tube to confirm it is being held by the socket.
6. Reattach diffuser (A) to shade (C) by aligning the holding tabs with the holding slots and pressing to snap into place.

BATTERY-MAINTENANCE INSTRUCTIONS

a. Battery Care:

Rechargeable Sealed Lead Acid (SLA) batteries require proper care and use to ensure maximum life (number of charges and duration of use). Fully charge your SLA battery before using it the first time. Do not store your battery for more than 4-6 weeks without charging. Normally, a SLA battery will self-discharge 1% per day even when not in use.

b. Battery Capacity:

Your lamp is supplied with a 5Ah (ampere-hour) SLA battery that will initially give 3 or more hours of use. As the battery ages, hours of use will normally decrease. A fully charged battery that will not keep the lamp lit continuously for more than 1 hour is considered depleted and should be replaced.

Replacement batteries are available from OttLite as well as other sources. However, a battery of less than 5Ah capacity will give fewer hours of use.

SLA batteries are the best choice for long use time, rechargeability, and economy however they take a long time to charge to full capacity. To ensure a full capacity charge, let your battery charge overnight (12 to 16 hours). Short use times (less than an hour) and short charge times (1 to 12 hours) will not hurt your battery for a few operations, but always fully charge the battery when possible.

c. Power Indicator light (N): The Power Indicator light indicates that the lamp is connected to AC power (wall outlet); a connected battery will be charging when the light is RED. To ensure optimal capacity, charge the battery for 12 to 16 hours after use.

BATTERY CAUTIONS: CAUTION – HIGH ENERGY STORAGE

- **DO NOT ALLOW THE BATTERY TERMINALS TO BE SHORTED:**
 - 1) **DO NOT ALLOW CONDUCTIVE MATERIALS TO CONTACT TERMINALS.**
 - 2) **BATTERY DOOR MUST BE INSTALLED DURING USE AND CHARGING.**
 - 3) **DO NOT EXPOSE TO WATER.**
- **BATTERY CONTAINS STRONG ELECTROLYTE.**
- **DO NOT APPLY UNDUE FORCE, DROP, OR STRIKE BATTERY.**
- **DO NOT ATTEMPT TO DISASSEMBLE OR MAKE MODIFICATIONS TO BATTERY.**
- **IF BATTERY IS DAMAGED AND ELECTROLYTE CONTACTS SKIN OR CLOTHING, WASH IMMEDIATELY WITH WATER.**
- **IF ELECTROLYTE GETS INTO EYES, FLUSH WITH CLEAN WATER AND SEEK MEDICAL ATTENTION IMMEDIATELY.**
- **WHEN INSERTING THE BATTERY INTO THIS PRODUCT, CORRECT POLARITY MUST BE OBSERVED. REVERSING OF CORRECT POLARITY CAN CAUSE LEAKAGE OF ELECTROLYTE OR EXPLOSION.**
- **DO NOT EXPOSE BATTERY TO HEAT OR FLAME.**

The battery should be fully charged after any long period of non use to ensure long life. Maximum battery life is achieved by recharging the battery before a complete discharge is reached and before prolonged storage.

BATTERY REPLACEMENT:

CAUTION – HIGH ENERGY STORAGE

CUSTOMER: IF YOU HAVE ANY CONCERN OR QUESTION IN REFERENCE TO INSTALLING THE BATTERY, PLEASE SEEK QUALIFIED ASSISTANCE. FAILURE TO DO SO CAN RESULT IN DAMAGE OR INJURY.

1. Remove the battery door by loosening the retention screws (K) and pull the top of the door away from the lamp.
2. Gently work the battery (L) out the lamp making sure the leads (J) do not catch on anything.
3. Remove each lead by grasping firmly on the insulated end and pull the lead away from the terminal using a slight side-to-side rocking motion.
4. Attach the leads to the new battery by grasping firmly on the insulated end, align the lead to the terminal, then push the end fully onto the terminal. Connect the RED lead to the positive (+) terminal and the BLACK lead to the negative (-) terminal.
5. Replace the battery in the lamp. Confirm lead wires are positioned to prevent pinching of wires. Slide the battery fully into the lamp.
6. Replace the battery door and secure with the retention screws (K) to hold the door in place.

RECYCLING OF BATTERY:

The product you have purchased contains a rechargeable battery. This battery is recyclable. At the end of its useful life, under various state and local laws, it may be illegal to dispose of this battery in the municipal waste system. Please check with your waste officials for details on recycling or proper disposal. www.recycle.com

Please note that in operation, OttLite® tubes are not dimmable.

Enjoy your OttLite® Rechargeable Task Lamp!

This lighting system is designed for use with OttLite® tubes only (model number T57J3C / T15003). Use of other products voids the warranty and may result in damage to the lighting system.



Enjoy life in HD.™